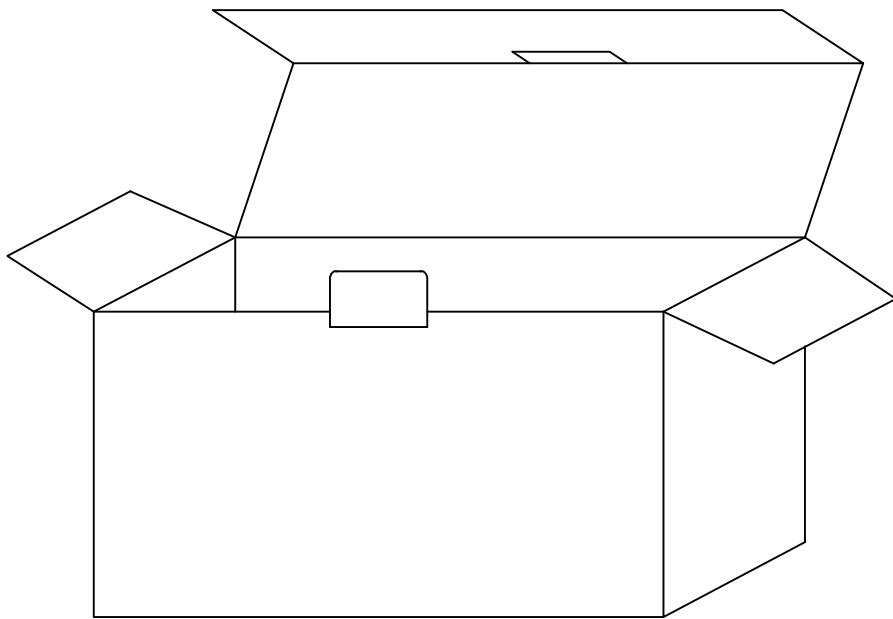
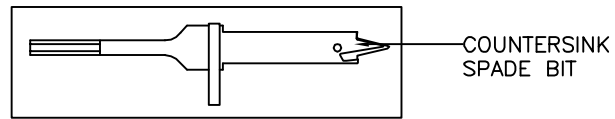
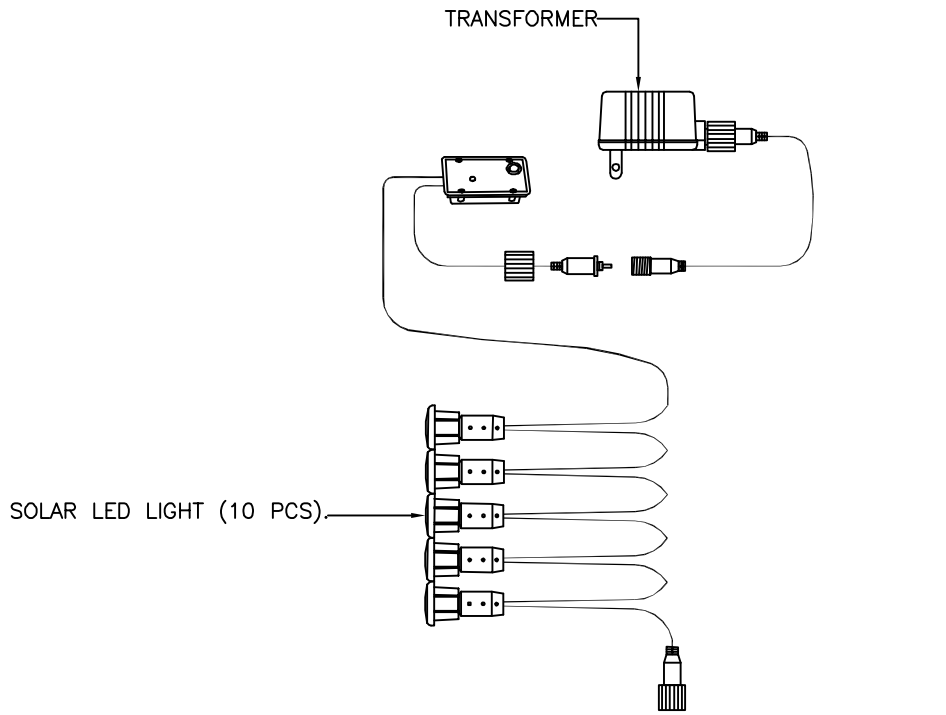


MODEL: 60507

PACKING DIAGRAM



MODEL: 60507

ASSEMBLY INSTRUCTIONS

READ AND SAVE THESE INSTRUCTIONS

READ INSTRUCTIONS ALL THE WAY THROUGH PRIOR TO ASSEMBLY.

Assembly Time: 20 Minutes.

UNPACK THE LED LIGHT STRING

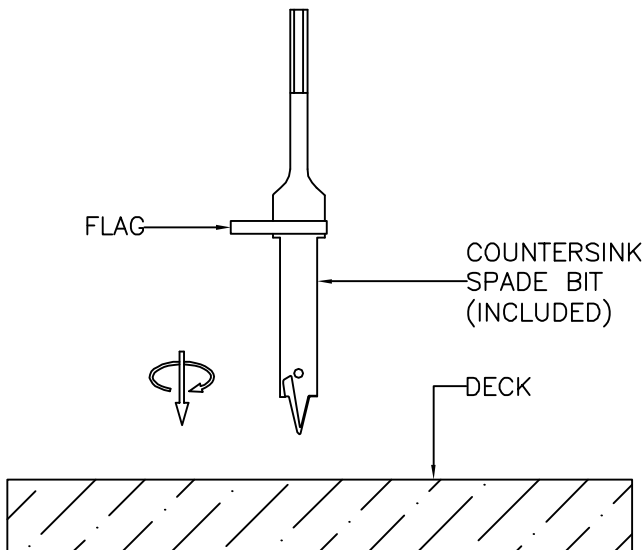
The following parts should be included in your LED light kits; (10) LED Lights, (1) Extender cord, (1) Transformer, (1) Countersink Spade Bit.

TOOLS

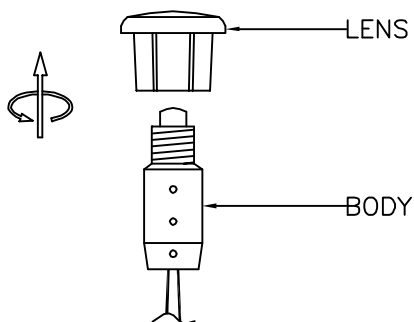
A drill will be required for deck or hard surface installation.

DECK INSTALLATION

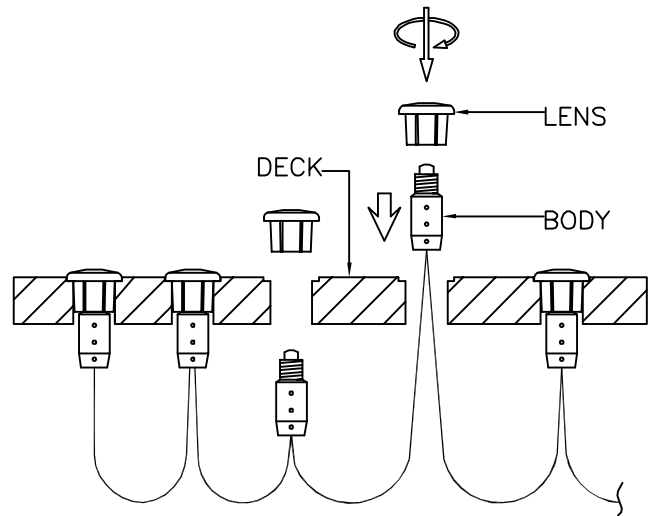
1.) Using your drill with the included spade bit, carefully drill through your deck, keep drilling until the flag touches the deck's surface.



2.) Remove the lens from the body.



3.) Slide the LED light body through the bottom of your deck.

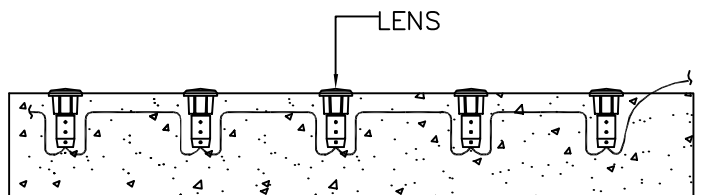


4.) Once through the hole, screw the lens to the body.

5.) Drop in place.

GROUND INSTALLATION

Bury the LED Light String bodies in grass, mulch, or gravel. You may wish to create a small trench between lights in order to conceal the cable.



TIP:

Use your drill and the included spade bit for greater precision.

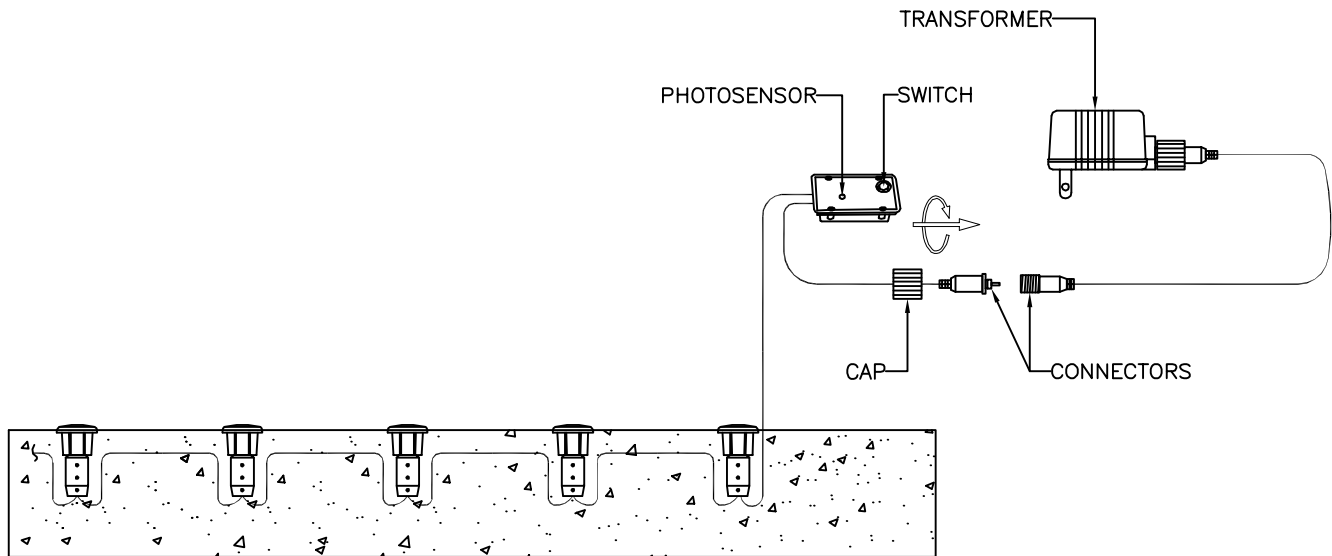
MODEL: 60507

ASSEMBLY INSTRUCTIONS

READ AND SAVE THESE INSTRUCTIONS

FINAL ASSEMBLY

1.) Join the connectors and screw the cap tightly together.



2.) Plug transformer into socket and press the switch, your LED Light String is ready for use.

3.) The LED Light String will turn on automatically at dusk.

4.) The LED Light String accepts expansion accessories 60508 (10 light extra string) and 60509 (12' length extender cord) (sold separated).

Note: The maximum limit of transformer is carry 3 piece light strings only.

TROUBLE SHOOTING:

1.) If your LED Light is not functioning properly or losing power mid-cycle, Check your connections to the transformer - a loose or improperly connected cable will cause the LED Light String to malfunction.

2.) The led light will turn on automatically every night.