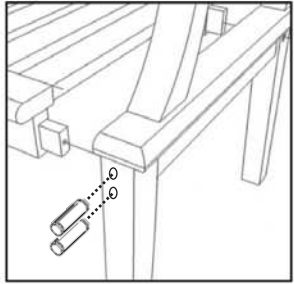
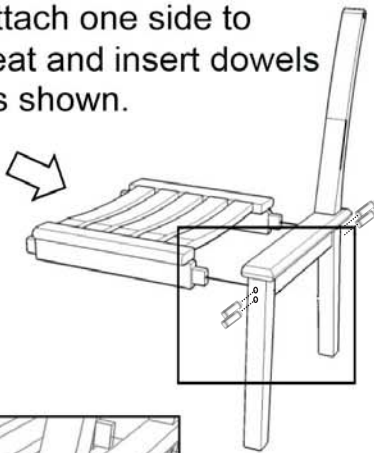
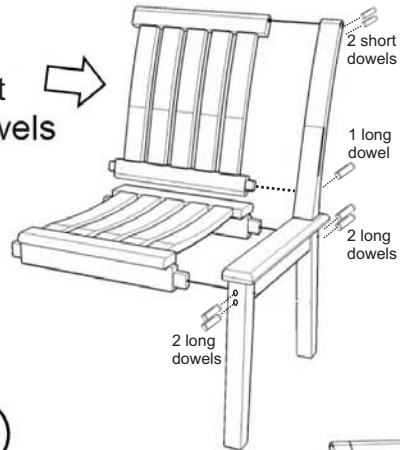


1 Attach one side to seat and insert dowels as shown.

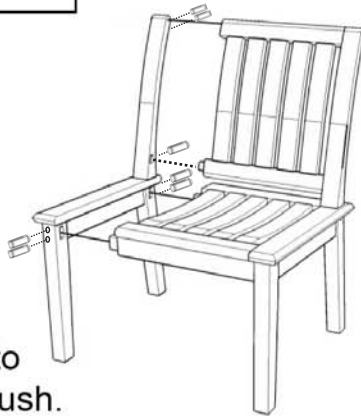


Tap the dowels gently into the holes until they are flush. If the dowel protrudes slightly, use sandpaper to sand the surface lightly until it is smooth.

2 Attach backrest and insert dowels as shown.



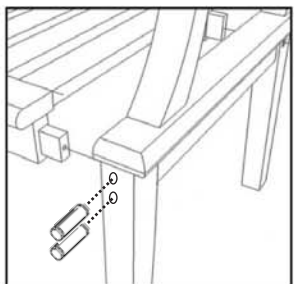
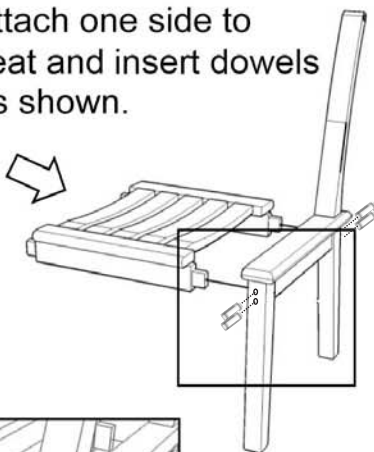
3 Attach other side and insert dowels as shown.



4 Completed assembly.

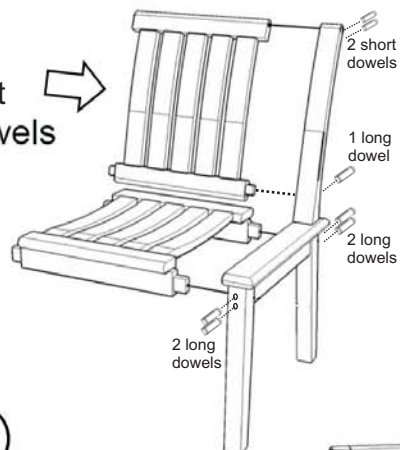


1 Attach one side to seat and insert dowels as shown.

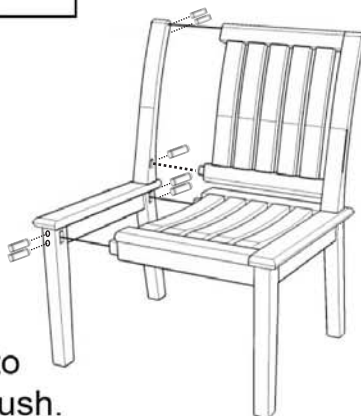


Tap the dowels gently into the holes until they are flush. If the dowel protrudes slightly, use sandpaper to sand the surface lightly until it is smooth.

2 Attach backrest and insert dowels as shown.



3 Attach other side and insert dowels as shown.



4 Completed assembly.

