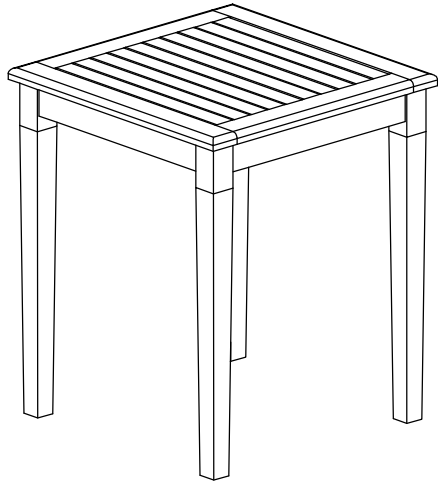
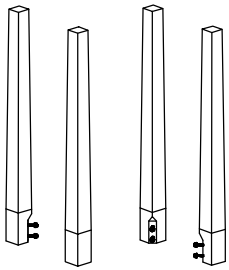


# THOS. BAKER

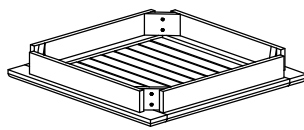
2143 - TEAK BAR TABLE



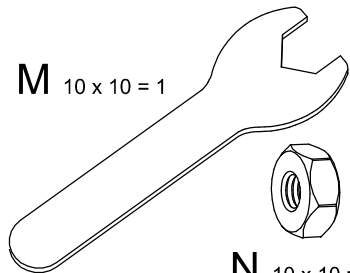
A 4x



B 1x



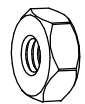
M 10 x 10 = 1



O = 8



N 10 x 10 = 8



P = 8

