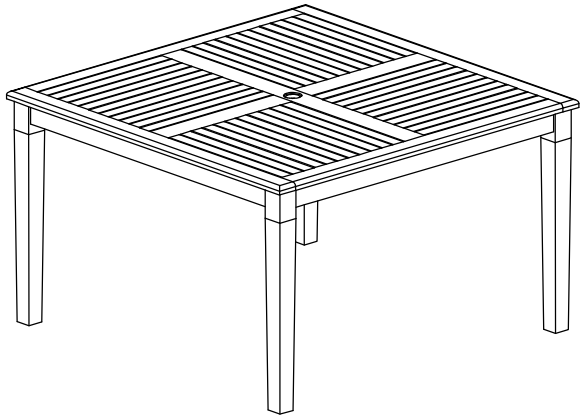
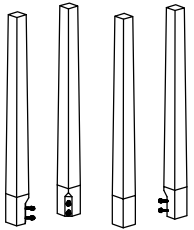


THOS. BAKER

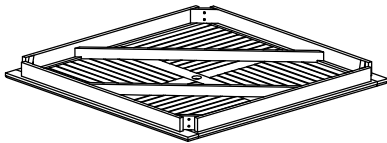
2150 - LARGE GATHERING TABLE



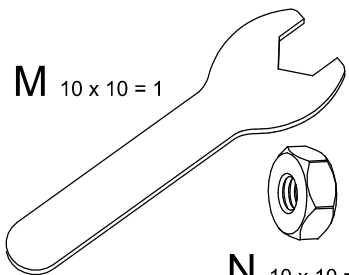
A 4x



B 1x



M 10 x 10 = 1



N 10 x 10 = 8

O = 8



O = 1



P = 8

